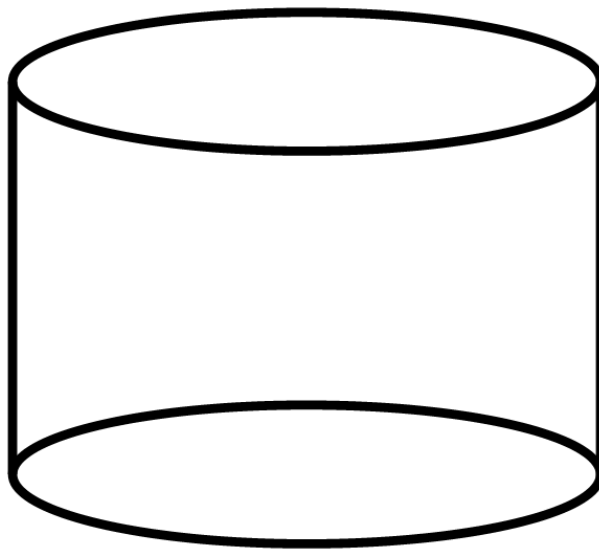


9.2

The volume of the cylinder is $x\pi \text{ cm}^3$



10 cm

radius = 4 cm

Find the value of x

GCSE FOUNDATION

MIXTURE

www.mathsbox.org.uk

A

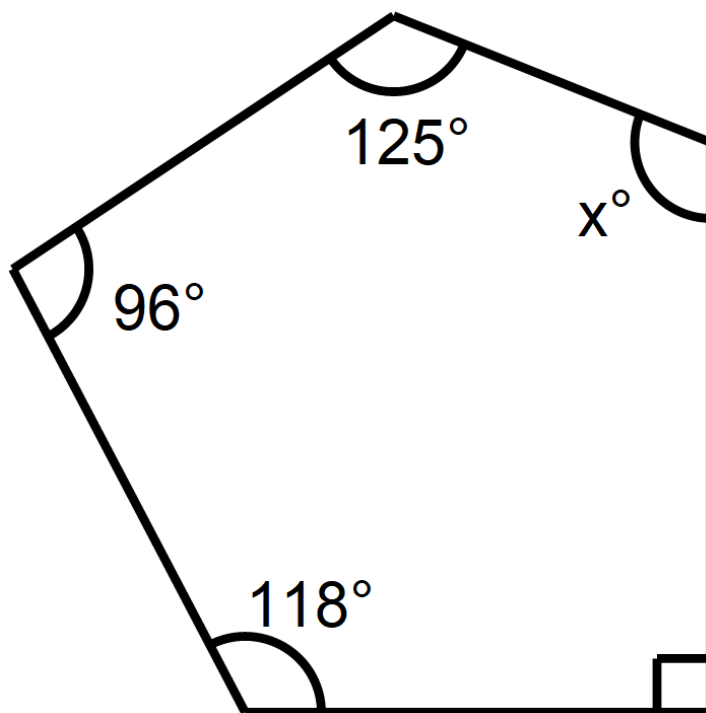
$$1\frac{11}{12}$$

The information below is to be represented by a pie chart. Calculate the angle needed for the sector representing Drama

Programme	Frequency
News	15
Soap	25
Sport	35
Drama	15

18.7

Calculate x



*GCSE FOUNDATION
MIXTURE*

www.mathsbox.org.uk

C

111

Find the 50th term of the
sequence

4, 9, 14, 19

GCSE FOUNDATION

MIXTURE

www.mathsbox.org.uk

D

15.7

Work out

$$1\frac{2}{3} \div \frac{1}{4}$$

GCSE FOUNDATION

MIXTURE

www.mathsbox.org.uk

E

$$x > 1$$

Solve simultaneously to find the value of x

$$2x - y = 8$$

$$x - 2y = 7$$

GCSE FOUNDATION

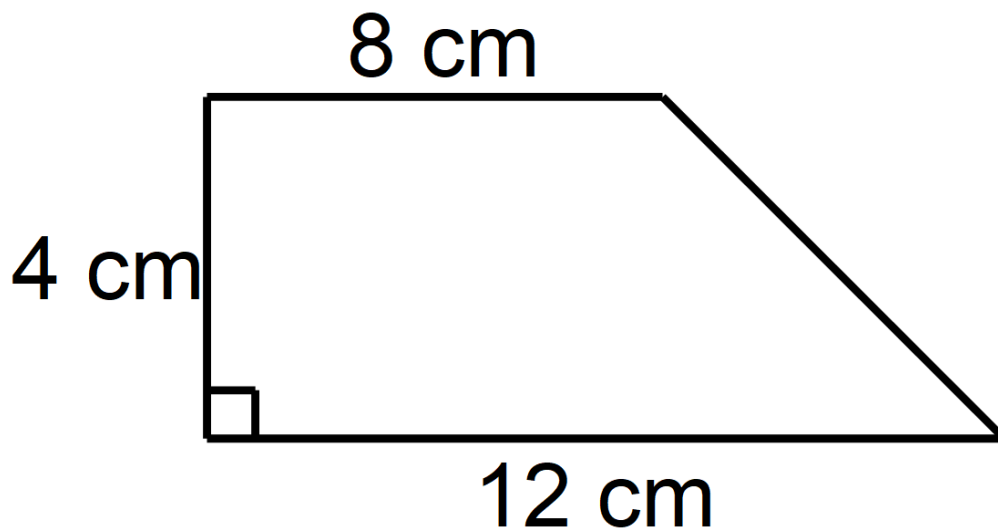
MIXTURE

www.mathsbox.org.uk

F

3

Calculate the area of the trapezium



*GCSE FOUNDATION
MIXTURE*

www.mathsbox.org.uk

G

$$\frac{5}{12}$$

Solve

$$5x - 2 > 3x + 6$$

GCSE FOUNDATION

MIXTURE

www.mathsbox.org.uk

H

$$x^2 - x - 12$$

If it takes 8 workers 3 days, to build a fence, how many days would it take 6 workers, assuming that they work at the same rate?

$$x^2 - 7x + 12$$

Kane and Lee win some money and share it in the ratio 3 : 5 respectively.

If Kane gets £32 less than Lee, how much does Lee get?

$$x^2 + x - 12$$

A car travels at an average speed of 45 mph for 1 hour 40 minutes. Calculate the distance travelled.

*GCSE FOUNDATION
MIXTURE*

www.mathsbox.org.uk

K

75

Solve

$$5x - 2 > 6 - 3x$$

GCSE FOUNDATION

MIXTURE

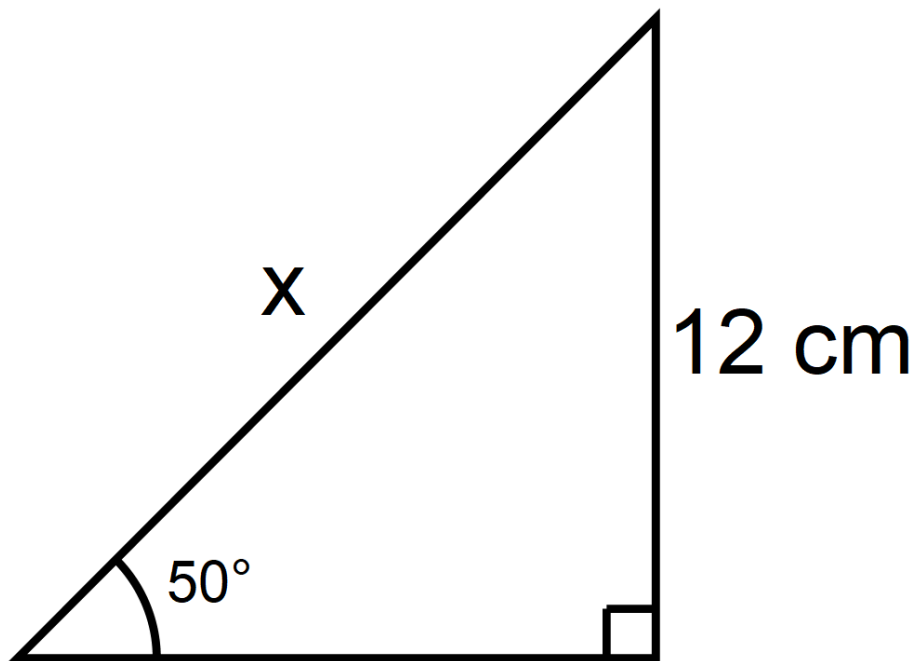
www.mathsbox.org.uk

L

80

Calculate x

Correct to 1 decimal place



GCSE FOUNDATION

MIXTURE

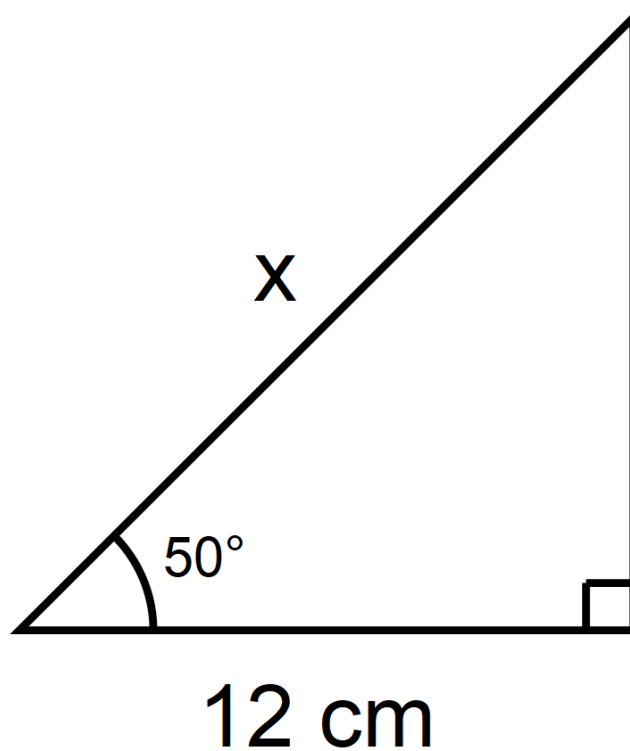
www.mathsbox.org.uk

M

$$6\frac{2}{3}$$

Calculate x

Correct to 1 decimal place



GCSE FOUNDATION

MIXTURE

www.mathsbox.org.uk

N

249

Expand and simplify

$$(x - 3)(x + 4)$$

GCSE FOUNDATION

MIXTURE

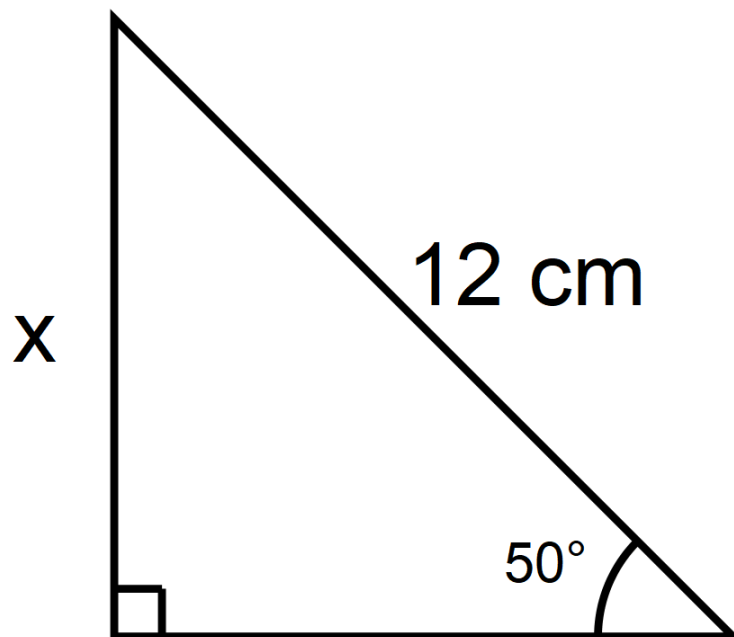
www.mathsbox.org.uk

0

40

Calculate x

Correct to 1 decimal place



GCSE FOUNDATION

MIXTURE

www.mathsbox.org.uk

P

160

Expand and simplify

$$(x + 3)(x - 4)$$

GCSE FOUNDATION

MIXTURE

www.mathsbox.org.uk

Q

4

Work out

$$1\frac{2}{3} \times \frac{1}{4}$$

GCSE FOUNDATION

MIXTURE

www.mathsbox.org.uk

R

60

Expand and simplify

$$(x - 3)(x - 4)$$

GCSE FOUNDATION

MIXTURE

www.mathsbox.org.uk

S

$$x > 4$$

Work out

$$1\frac{2}{3} + \frac{1}{4}$$

GCSE FOUNDATION

MIXTURE

www.mathsbox.org.uk

T

GCSE FOUNDATION MIXTURE

TREASURE HUNT

