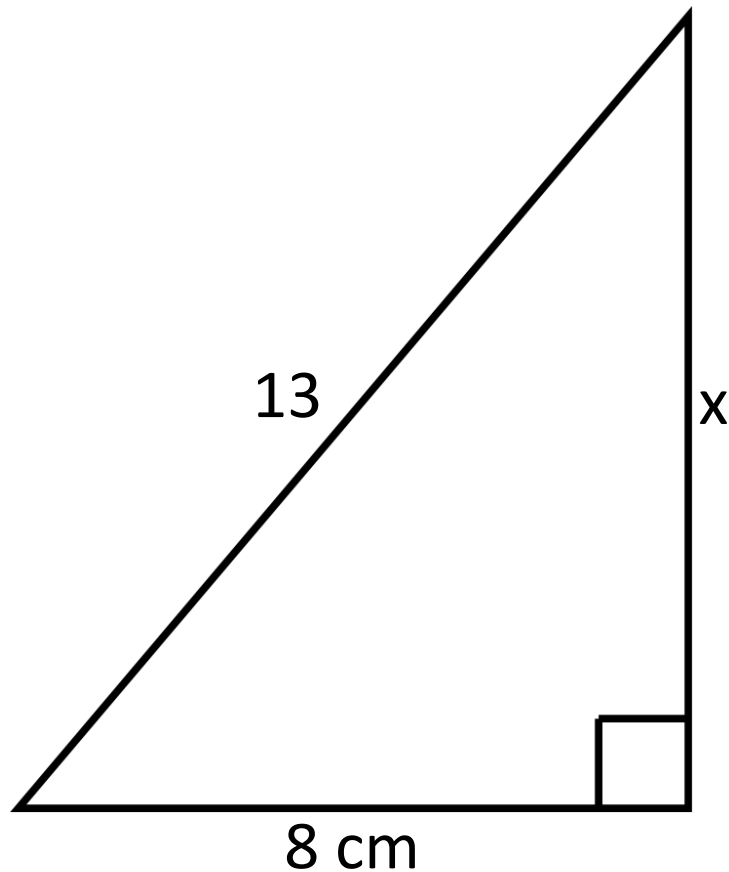


8.94 cm

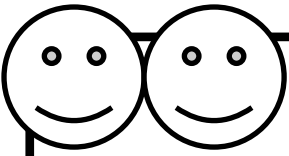
Calculate x



www.mathsbox.org.uk

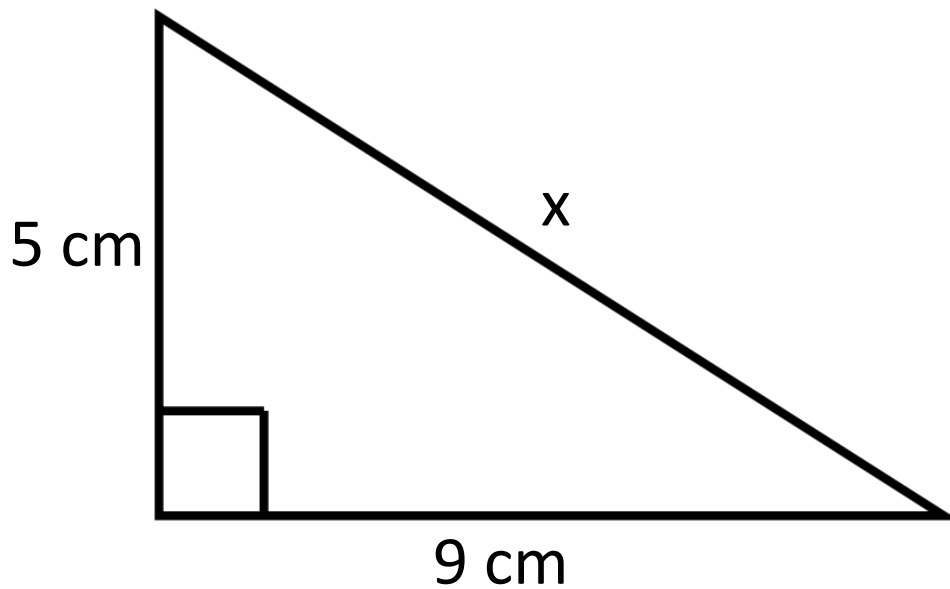
*Pythagoras's Theorem
Finding either the shortest or
longest side*

1



5.83 cm

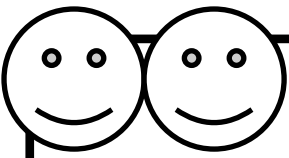
Calculate x



www.mathsbox.org.uk

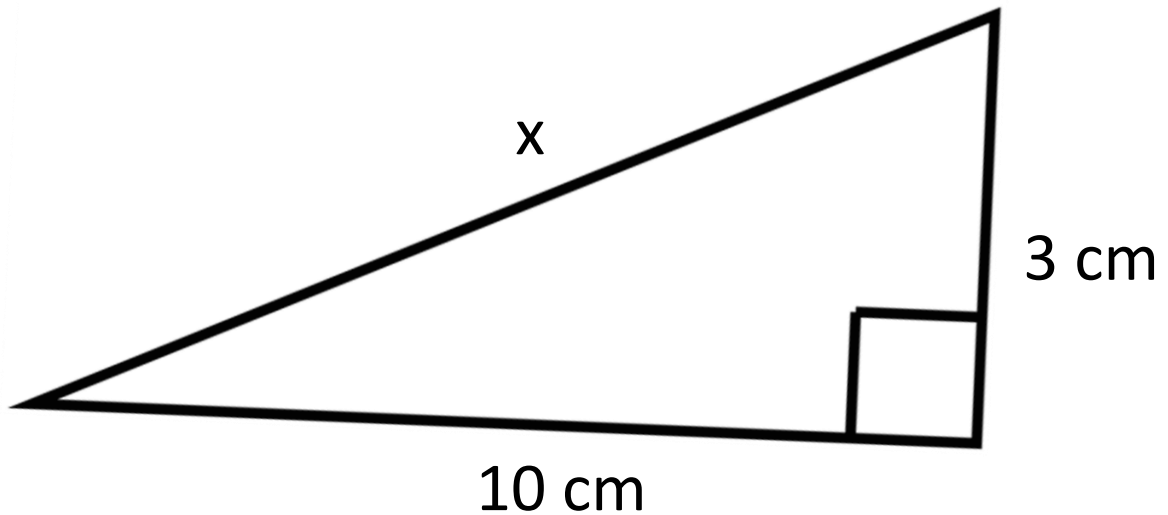
Pythagoras's Theorem
Finding either the shortest or
longest side

2



10.82 cm

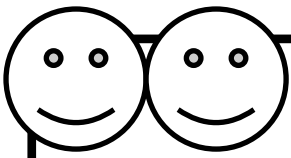
Calculate x



www.mathsbox.org.uk

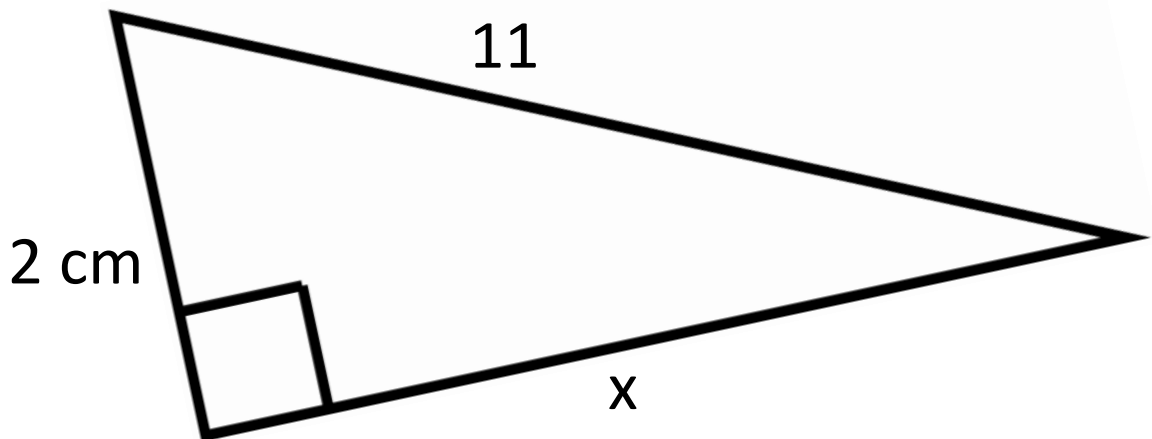
Pythagoras's Theorem
Finding either the shortest or
longest side

3



4.58 cm

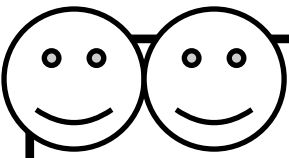
Calculate x



www.mathsbox.org.uk

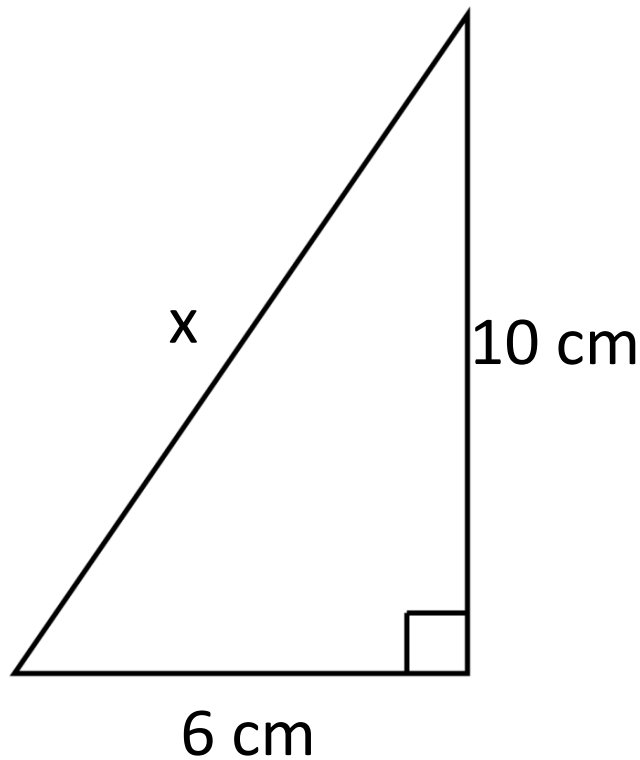
Pythagoras's Theorem
Finding either the shortest or
longest side

4



7.42 cm

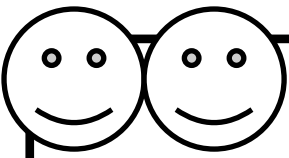
Calculate x



www.mathsbox.org.uk

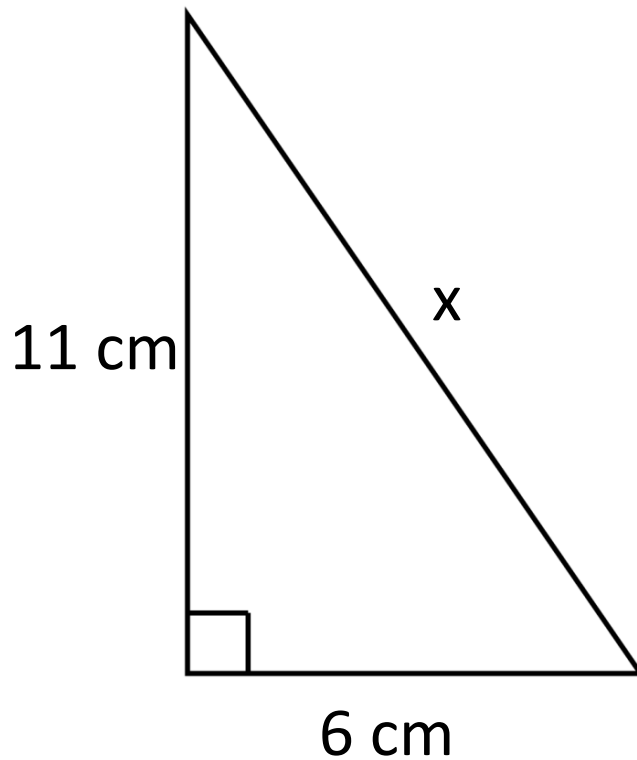
*Pythagoras's Theorem
Finding either the shortest or
longest side*

5



10.30 cm

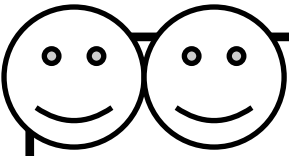
Calculate x



www.mathsbox.org.uk

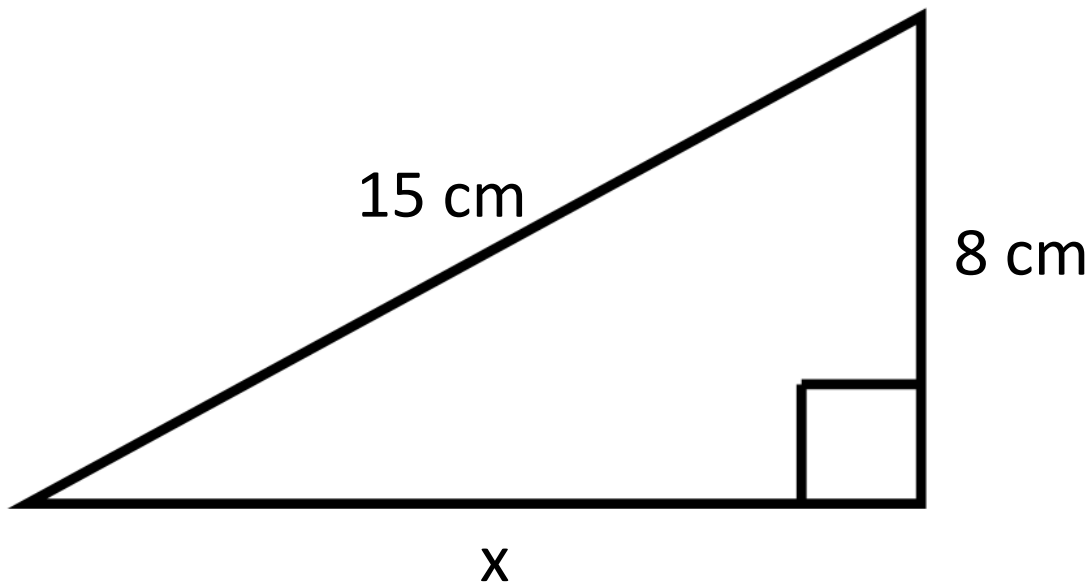
Pythagoras's Theorem
Finding either the shortest or
longest side

6



14.14 cm

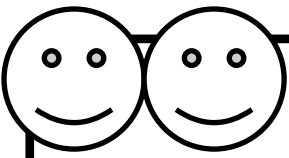
Calculate x



www.mathsbox.org.uk

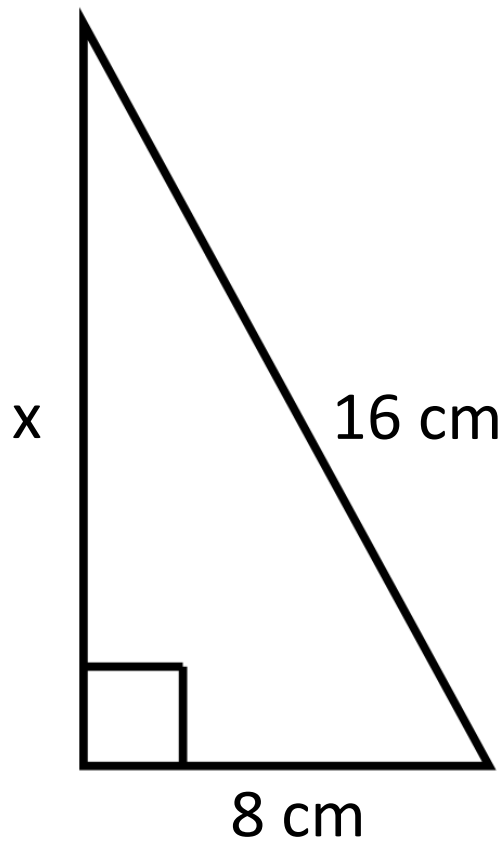
Pythagoras's Theorem
Finding either the shortest or
longest side

7



9.17 cm

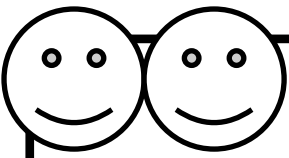
Calculate x



www.mathsbox.org.uk

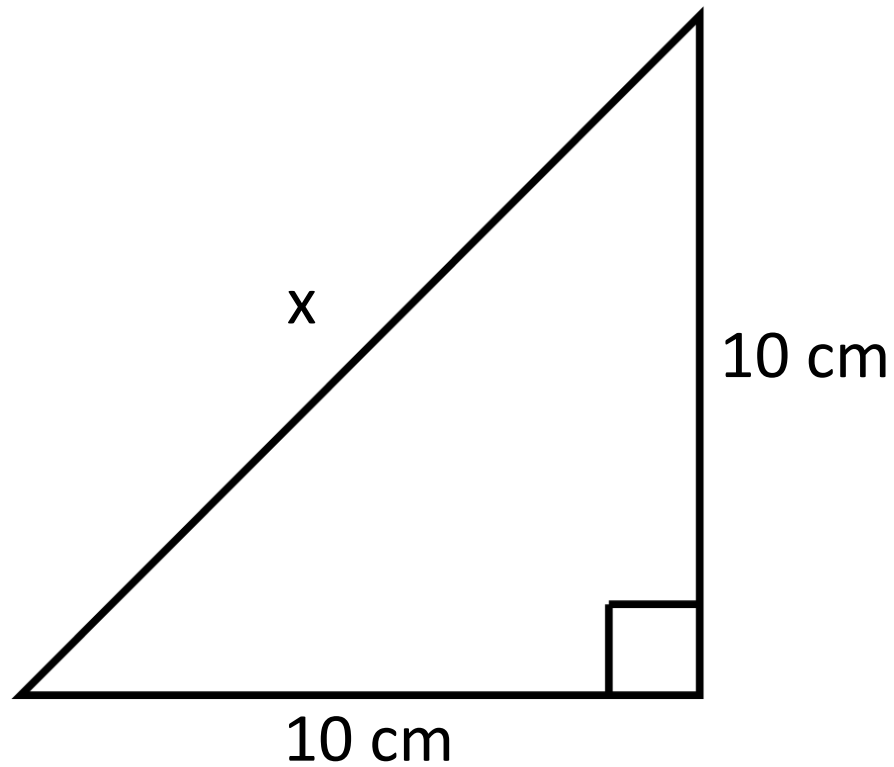
*Pythagoras's Theorem
Finding either the shortest or
longest side*

8



11.66 cm

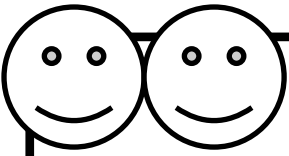
Calculate x



www.mathsbox.org.uk

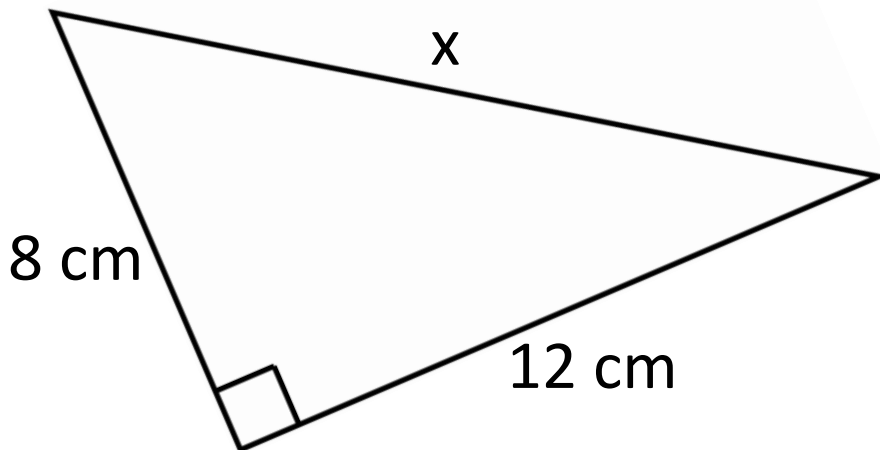
*Pythagoras's Theorem
Finding either the shortest or
longest side*

9



8.66 cm

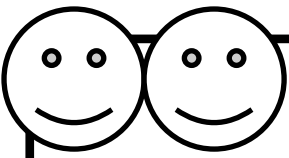
Calculate x



www.mathsbox.org.uk

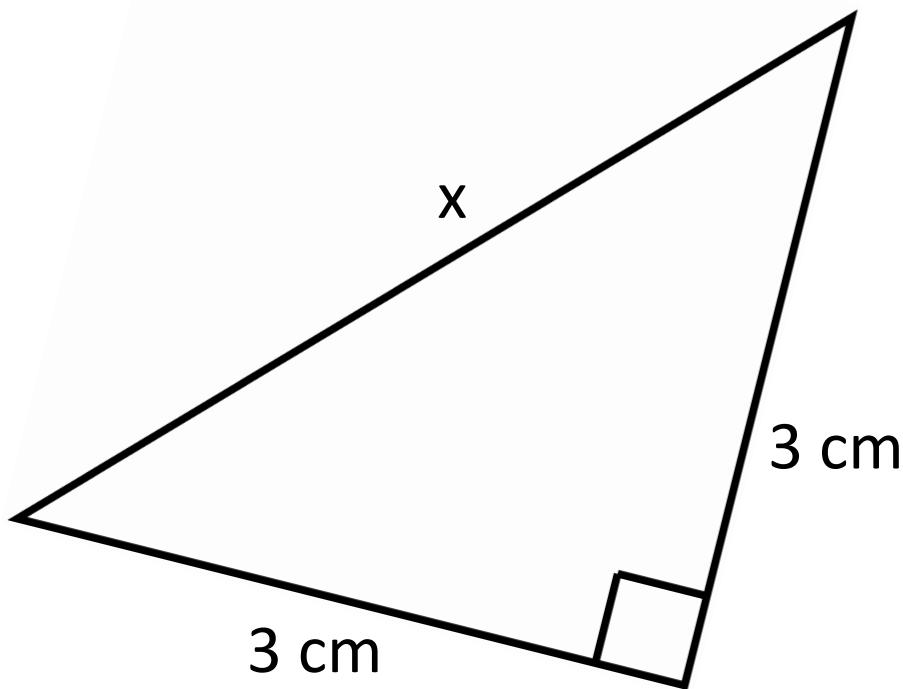
Pythagoras's Theorem
Finding either the shortest or
longest side

10



12.69 cm

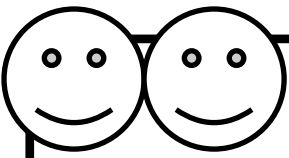
Calculate x



www.mathsbox.org.uk

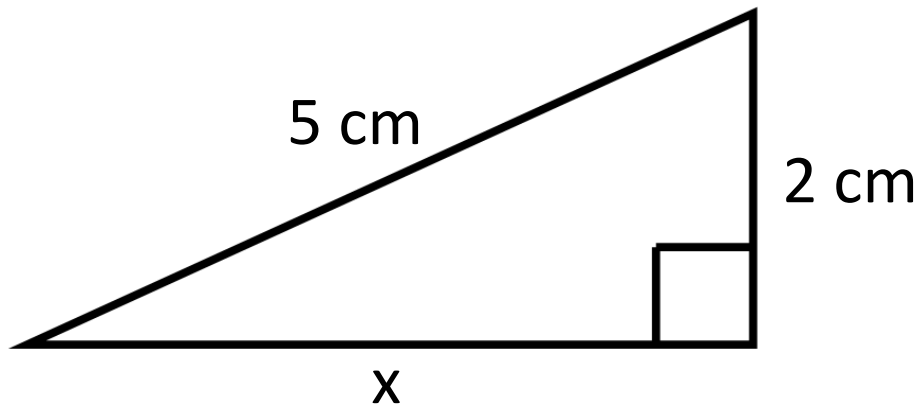
*Pythagoras's Theorem
Finding either the shortest or
longest side*

11



6.32 cm

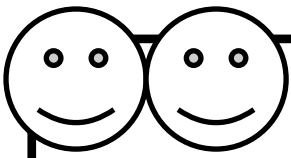
Calculate x



www.mathsbox.org.uk

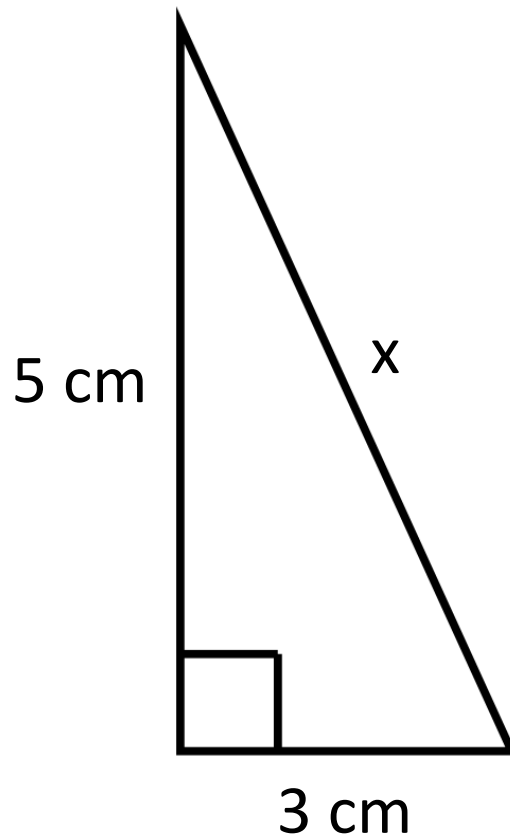
Pythagoras's Theorem
Finding either the shortest or
longest side

12



4.24 cm

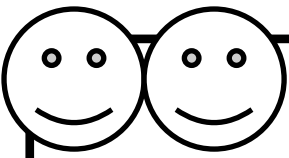
Calculate x



www.mathsbox.org.uk

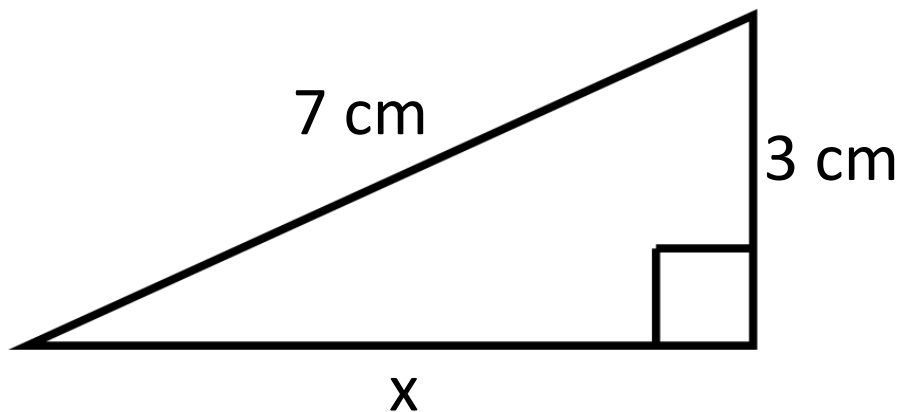
Pythagoras's Theorem
Finding either the shortest or
longest side

13



13.86 cm

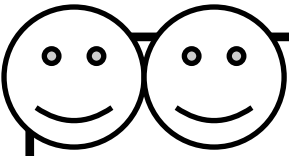
Calculate x



www.mathsbox.org.uk

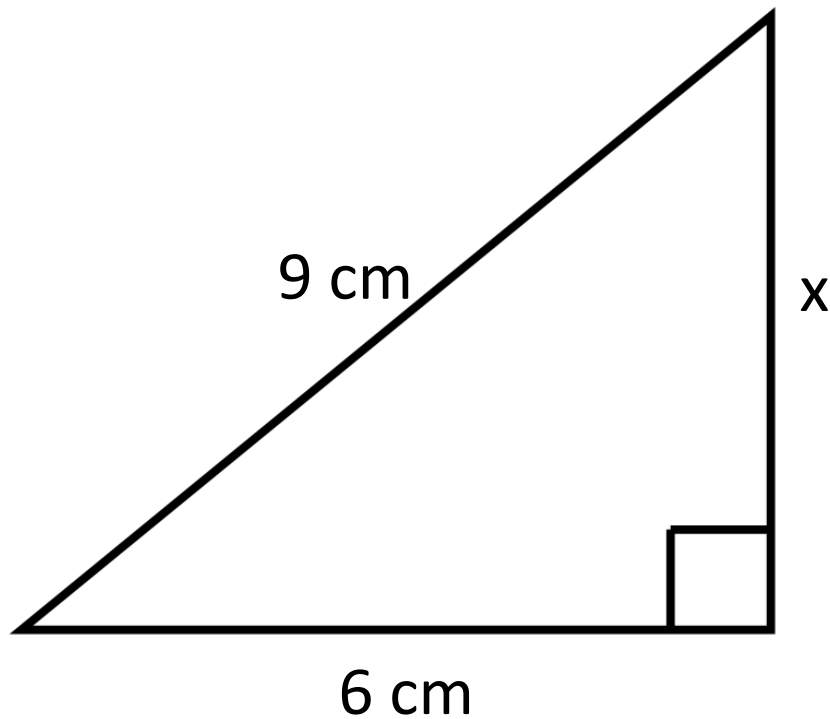
*Pythagoras's Theorem
Finding either the shortest or
longest side*

14



14.42 cm

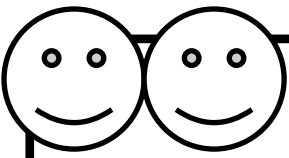
Calculate x



www.mathsbox.org.uk

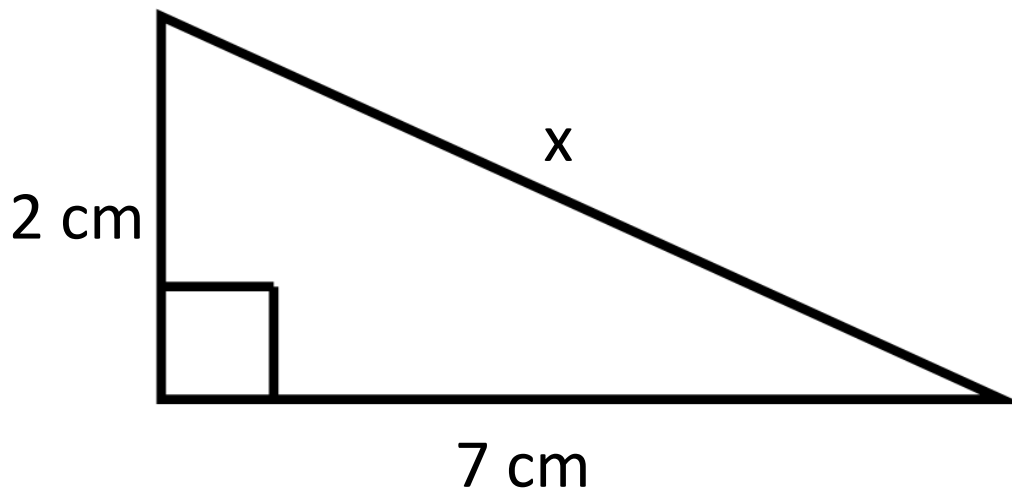
*Pythagoras's Theorem
Finding either the shortest or
longest side*

15



6.71 cm

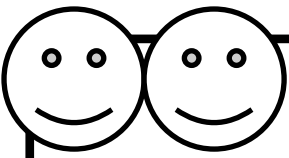
Calculate x



www.mathsbox.org.uk

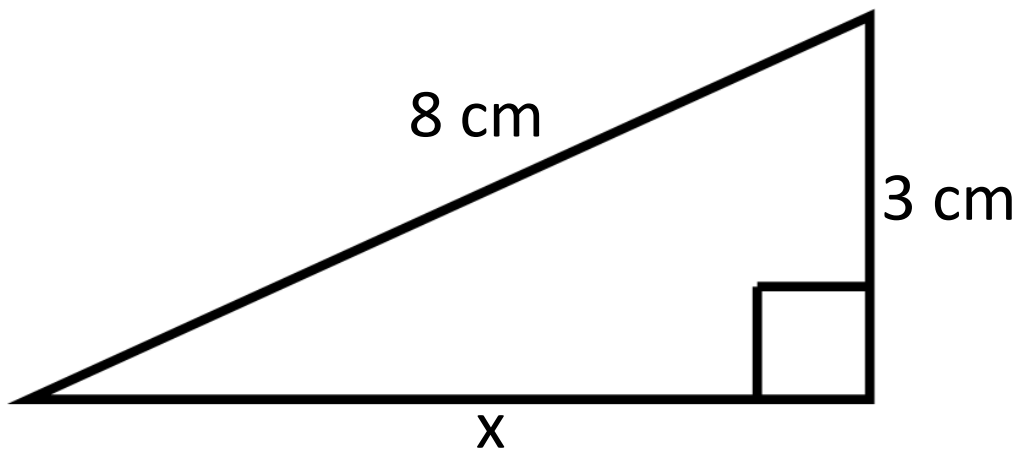
Pythagoras's Theorem
Finding either the shortest or
longest side

16



7.28 cm

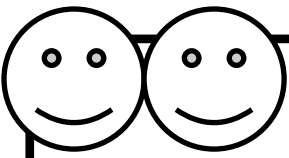
Calculate x



www.mathsbox.org.uk

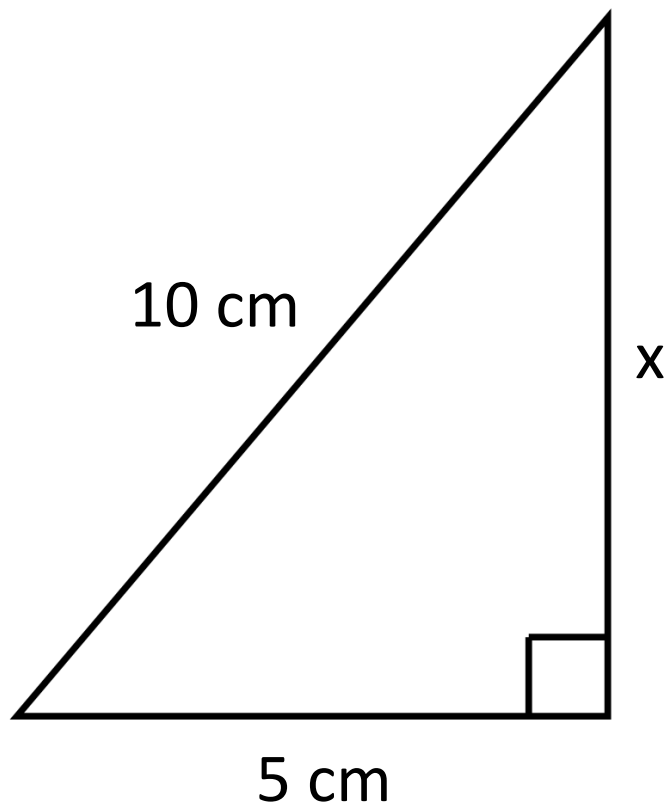
*Pythagoras's Theorem
Finding either the shortest or
longest side*

17



10.25 cm

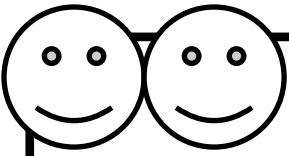
Calculate x



www.mathsbox.org.uk

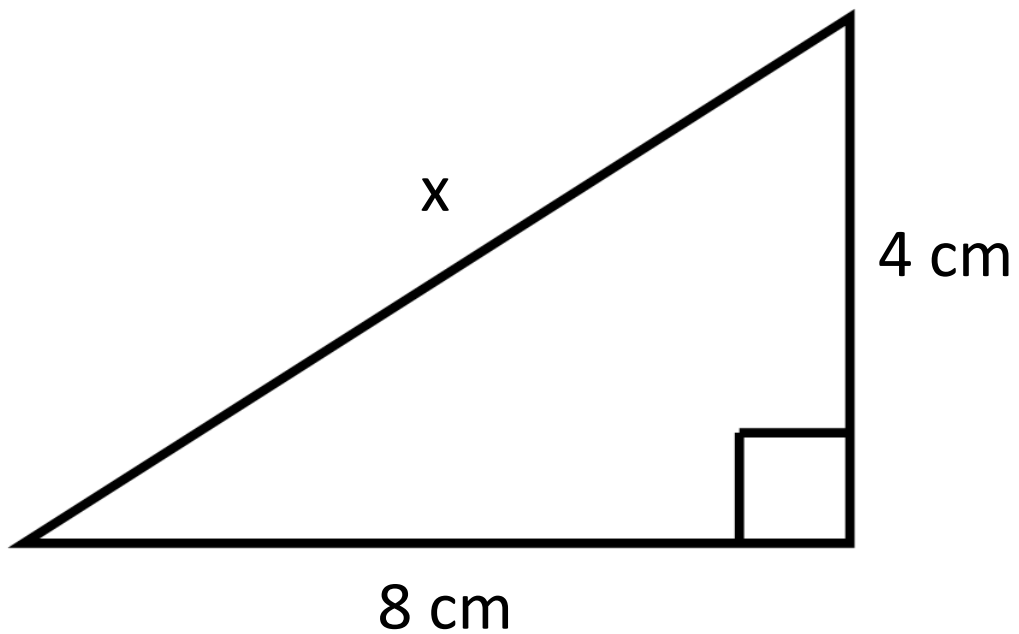
Pythagoras's Theorem
Finding either the shortest or
longest side

18



10.44 cm

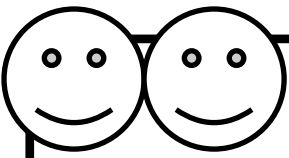
Calculate x



www.mathsbox.org.uk

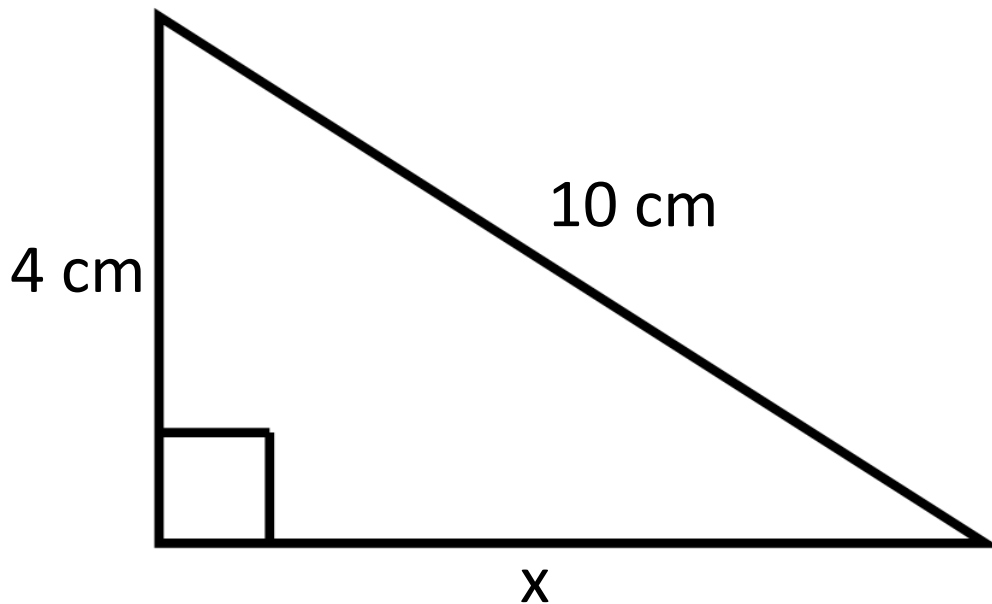
*Pythagoras's Theorem
Finding either the shortest or
longest side*

19



12.53 cm

Calculate x



www.mathsbox.org.uk

Pythagoras's Theorem
Finding either the shortest or
longest side

20

Answer Sheet

Pythagoras's Theorem

Finding the shortest or longest side

